



13046 Race Track Rd. #187
Tampa, FL 33626
(813) 463-2420
www.eag-led.com

LINEAR HIGHBAY



Advantages

- UL cUL DLC certificate
- IP66 Waterproof rating
- High CRI
- Installation options
- Internal driver, Input voltage 100-277Vac
- No UV or IR in the beam
- No maintenance
- Energy efficient, Long lifespan
- Light is soft and uniform, safe to eyes
- Instant start, NO flickering, NO humming
- Green and eco-friendly without mercury.

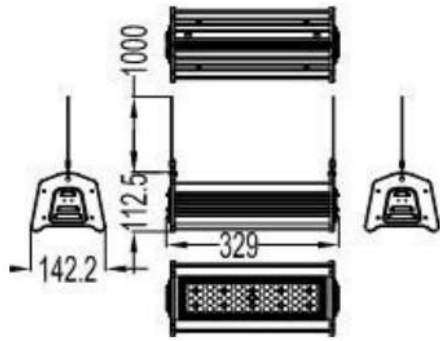
Applications

- Workshops, Warehouses, Stores
- Food Industry
- Tunnels

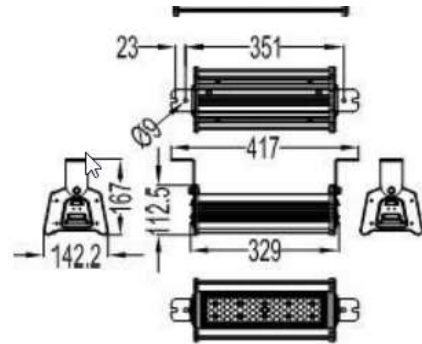


13046 Race Track Rd. #187
 Tampa, FL 33626
 (813) 463-2420
 www.eag-led.com

LINEAR HIGHBAY



Type A



Type B

Technical Specifications

| | | | |
|-------------------|--------------|-----------------------|----------------|
| Color Temperature | 4000 – 5700K | Waterproof Rating | IP66 |
| CRI | >70 | Operating Temperature | -20°C TO 45°C |
| Lumen | 6250-6750LM | Operating Humidity | 20% - 90% RH |
| Input Power | 50W | Storage Temperature | -30°C TO 80°C |
| Viewing Angle | 90 Degree | Storage Humidity | 10% - 75% RH |
| Input Voltage | 50-60 HZ | Application | Outdoor/Indoor |
| PFC | >.9 | Certification | UL cUL DLC |
| Luman Efficacy | 125-135 LM/W | Housing | Aluminum + PC |

| Product Specifications | | Materials | |
|------------------------|--|--------------------|-------------------|
| Product Name | LED Linear High Bay Light | LED Brand | Phillips Lumileds |
| Part Number | EAG-LHB-50W | LED Type | Luxeon 3030 2D |
| Dimension | Type A: 329*142.2*112.5mm Type B: 417*142.2*167mm | Optional Accessory | N/A |



13046 Race Track Rd. #187
 Tampa, FL 33626
 (813) 463-2420
 www.eag-led.com

LINEAR HIGHBAY

Testing Parameters

| DATA OF LAMP | | PHOTOMETRIC DATA | | | |
|------------------|-------------|------------------|--------|-------------------------|-----------|
| MODEL | EAG-LHB-50W | Imax (cd) | 3215 | S/MH(C0/180) | 1.20 |
| NOMINAL POWER(W) | 50 | LOR(%) | 100.0 | S/MH(C90/270) | 1.22 |
| RATED VOLTAGE(V) | 120 | TOTAL FLUX(lm) | 6545.1 | η UP, DN(C0-180) | 0.1, 49.7 |
| NOMINAL FLUX(lm) | 6545.12 | CIE CLASS | DIRECT | η UP, DN(C180-360) | 0.1, 50.2 |
| LAMPS INSIDE | 1 | η up(%) | 0.2 | CIBSE SHR NOM | 1.25 |
| TEST VOLTAGE(V) | 120.0 | η down(%) | 99.8 | CIBSE SHR MAX | 1.30 |

